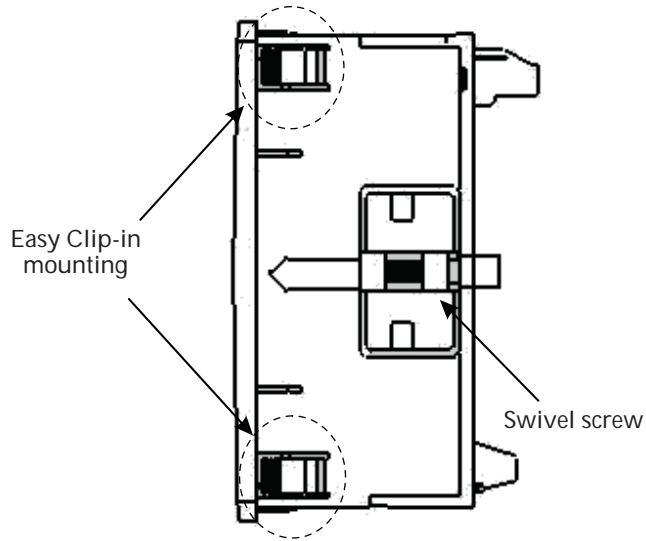
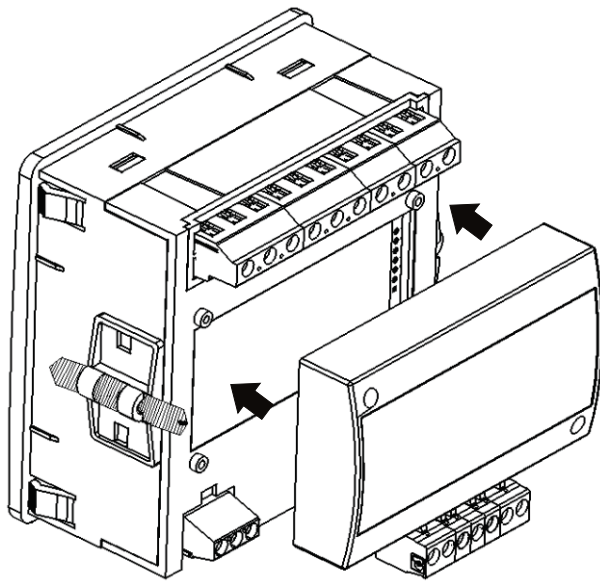


Installation

Easy Clip in Installation on Panel



Panel Thickness : 1 - 3 mm for self clicking,
1 - 6 mm for swivel screws.



Optional Limit Switch pluggable module.